

School of Health Professions School of Social Work

A Winter School in Switzerland

Andrea Tamas, ZHAW School of Health Professions

Katja Girschik, ZHAW School of Social Work





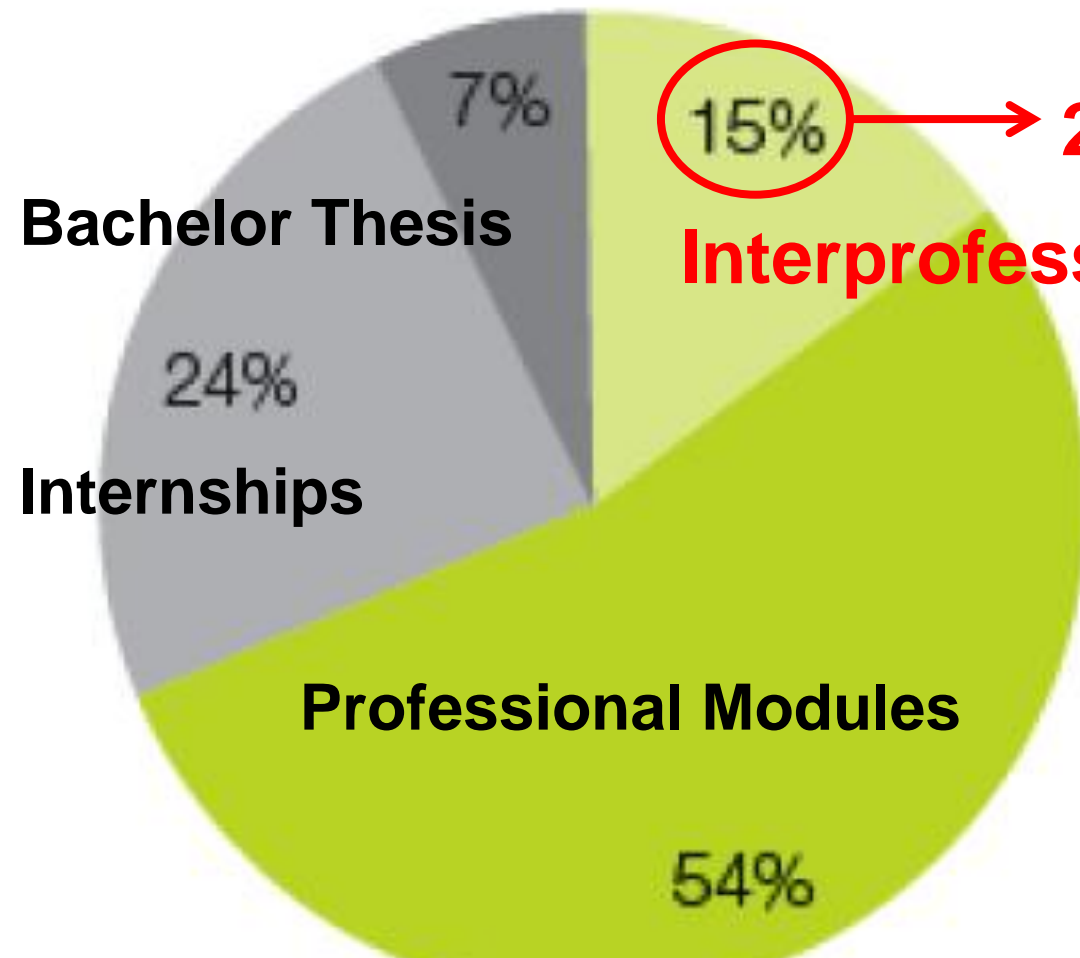
Challenges in Interprofessional Health and Social Care and Cooperation

→ **4 Health Professions + Social Work**

(Physio, Occupational Therapy,
Nurses, Midwives)



Interprofessional Education in Health Care for all 4 Health Professions (BSc Programs)



→ 27 ECTS

Interprofessional Modules

Topics of:

- **Cooperation**
- Health and Society
- Scientific Working
in interprofessional groups.

Based on: 3 years = 180 ECTS; Additional: 4th year internship

Why a Winter School in Winterthur?

- Offer for incoming students, especially non-german speaking.
- Concentrate the networking with our partners, create a platform for incoming staff.
- Create a pilot for developing an english semester program.
- Embark on a cooperation with Social Work.
- Integrate into the curriculum.

Courses 2016	week 1: 11-15 January	week 2: 18-22 January	week 3: 25-29 January	week 4: 01-05 February
1 Counseling	German			German
2 Crisis & Coping		German	German	
3 Interprofessional Collaboration	German		German	
4 Diversity Management in Health Professions		English		English
5 Study visits to Swiss health and social care institutions	English		English	
6 Professional Identity (Mobility Week; OT students only)		English		

Participants of the Winter School 2015

Courses 2015	week 1	week 2	week 3	week 4
1 Counseling	2S / 2T			5S / 0T
2 Crisis & Coping		3S / 0T	1S / 1T	
3 Interprofessional Collaboration	3S / 3T		2S / 0T	
4 Diversity Management in Health Professions		6S / 1T		8S / 2T
5 Study visits to Swiss health and social care institutions	11S / 0T		cancelled	
6 Professional Identity (Mobility Week; OT students only)		21S / 10T		
S=Student, T=Teacher	16S / 5T	30S / 11T	3S / 1T	13S / 2T

Impressions January 2015




Impressions January 2015





SF 03.23
8³⁰ - 12³⁰
13³⁰ - 16⁰⁰
TNO404
SKG







Student Evaluation (Online Survey)

A – course content new

B – useful for personal development

C – useful for professional development

D – intense intercultural experience

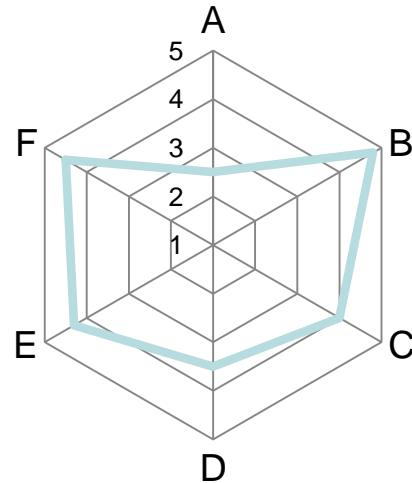
E – teacher(s) did a great job

F – would recommend to fellow students

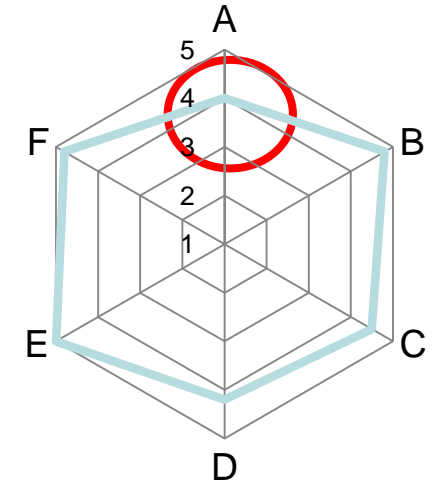
1 – strongly disagree

5 – strongly agree

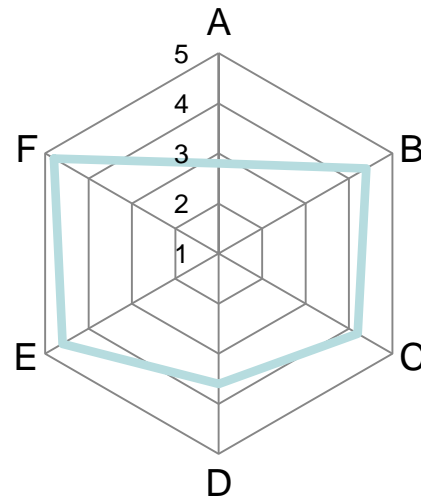
Counseling (N=4)



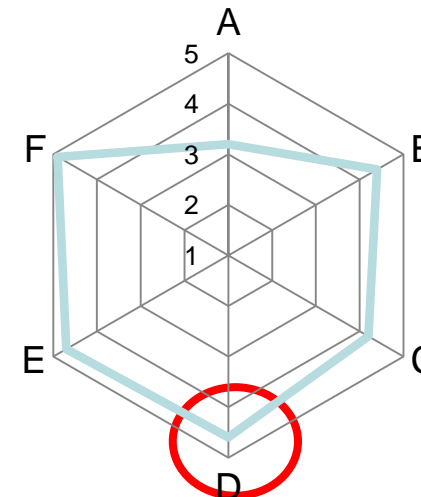
Study Visits (N=6)



Diversity Management (N=5)



Professional Identity (OT; N=10)



Staff Evaluation (Questionnaire)

A – course content new

B – useful for personal development

C – useful for professional development

D – intense intercultural experience

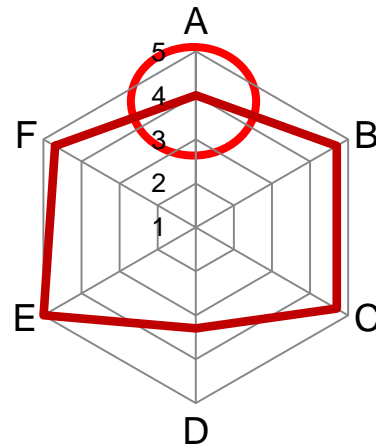
E – teacher(s) did a great job

F – would recommend to my students

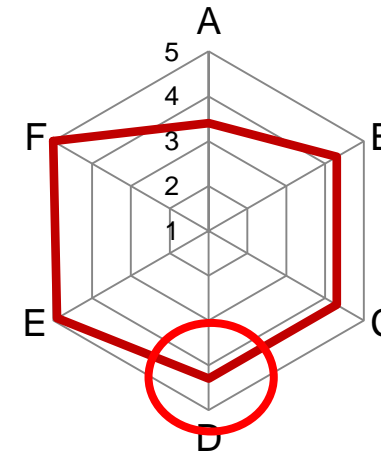
1 – strongly disagree

5 – strongly agree

Diversity Management (N=3)

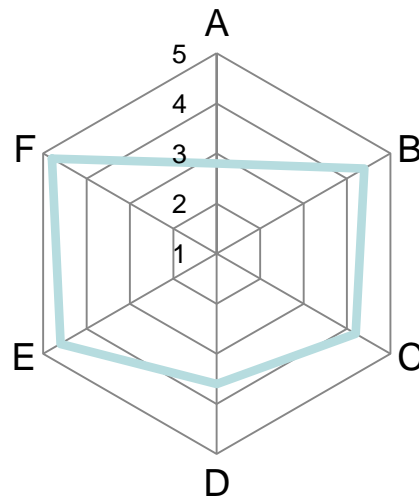


Professional Identity (OT; N=5)

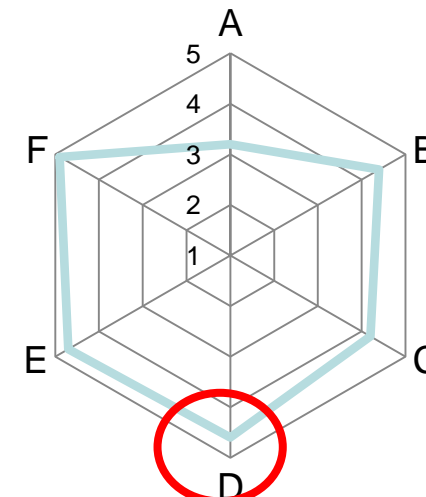


Staff

Diversity Management (N=5)



Professional Identity (OT; N=10)



Students

Relevance to Health Professions and Social Work (Qualitative Evaluation)

- Complex multi-problem situations involving health and social issues
- Understanding different professional approaches, traditions, models, languages, ...
- Visits: theoretical inputs + insights into the daily work of interprofessional teams + discussion of cases at institutions
- Looking not only across professional but also national boundaries

Student Quotes

“You get pictures of what the institutions are like.”

“It’s not only for education. It gives me a chance to meet people from other countries.”

“Oh, there are a lot more Occupational Therapists out there!”

Student Quotes

“It makes something with your motivation for going on with your studies and with your profession.”

“This is such an excellent opportunity to learn new things by different speakers, meet new people and get new perspectives”

Student Quotes

“If there was something we could not translate it went from German to French and finally into English. ... or drawing or you know... we could get it in the end.”

“I always feel more motivated going back to university when I was involved in something like this.”

Student Quotes

“very good mix of the academic and a more social and networking side of it.”

“I had the chance to see other educations and compare it to the one in my country.”

“This was the first and hardest step for me... now I have been to Europe and the rest will be much easier now.”

Student Quotes

“It encourages reflection because you think about what you are doing and what other people are doing and is it one way better than the other. That’s an important skill for a health professional and it has been enforced during this week.”

www.gesundheit.zhaw.ch/winterschool

Thank you for your attention!